

Table of Contents

SPECIFICATION1

Notes for the lifting capacity chart 2

WORKING RANGE 3

LIFTING CAPACITY

- 6.5m — 28.0m Boom 6
- 19.6m Boom+4.0m Jib 7
- 19.6m Boom+5.8m Jib 7
- 28.0m Boom+4.0m Jib 8
- 28.0m Boom+5.8m Jib 8
- Stationary on rubber 9
- Pick & carry 9
- Searcher hook (option) 10
- Searcher hook (Stationary on rubber) (option) 11
- Searcher hook (Pick & carry) (option) 11

Minimum path width 12

Overall view 13

Overall view 14

[SPECIFICATION]

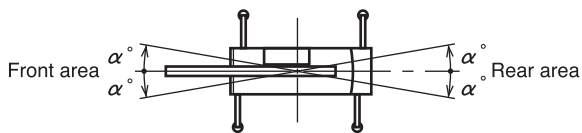
■ CRANE		
Description	City range crane with maximum lifting capacity 20 ton	
● Crane specification		
Maximum rated lifting capacity	6.5 m Boom	20,000kg × 2.5 m (Parts of line : 7)
	10.95m Boom	12,500kg × 4.0 m (Parts of line : 6)
	15.4 m Boom	10,000kg × 5.0 m (Parts of line : 4)
	19.6 m Boom	7,500kg × 6.0 m (Parts of line : 4)
	23.8 m Boom	6,000kg × 6.0 m (Parts of line : 4)
	28.0 m Boom	5,000kg × 6.5 m (Parts of line : 4)
	4.0 m Jib	2,500kg × 75° (Parts of line : 1)
	5.8 m Jib	2,000kg × 75° (Parts of line : 1)
	Rooster	3,200kg (Parts of line : 1)
	Searcher hook	5,000kg
Boom length	6.5m — 28.0m	
Jib length	4.0m — 5.8m	
Searcher hook	1.0m	
Maximum rated lifting height	29.1m (Boom) 34.8m (jib)	
Hoisting line speed (winch up)	Main winch	115m / min. (at 5th layer)
	Auxiliary winch	104m / min. (at 3rd layer)
Hoisting hook speed (winch up)	Main winch	(Parts of line; 7) : 16.4m / min. (at 5th layer)
	Auxiliary winch	(Parts of line; 1) : 104.0m / min. (at 3rd layer)
High-speed lowering Rope speed	Main winch	160m / min (at 3rd layer)
	Auxiliary winch	160m / min (at 3rd layer)
Boom derricking angle	-9.5° — 83°	
Boom derricking time	35s / -9.5° — 83°	
Boom extending speed	6.5m — 28.0m / 65s	
Slewing speed	2.9min ⁻¹	
Tail slewing radius	2,390mm (Slide sheave)	
	2,250mm (Rear cover)	
● Equipment and structure		
Boom type	Round-shaped, 6-section hydraulically telescopic type (the 2nd and 3rd boom sections at the same time, the 4th, 5th and 6th boom sections at the same time)	
Jib type	2 sections (2nd section of draw-out type) Hydraulic stepless tilting type (offset angles 7° — 60°)	
Searcher hook type	2 positions (high/low) selectable	
Boom extension/retraction equipment	Two hydraulic cylinders and wire ropes used together	
Boom derricking/lowering equipment	One hydraulic cylinder of direct acting type with pressure-compensated flow control valve	
Jib derricking/lowering equipment	Hydraulic cylinder	
Winch system Main & Auxiliary winches	Two units of Single winch, Planetary gear reduction type (built-in negative brake) with Automatic brake, High/Low speed switching system and Hydraulic compensated flow control valve.	
Slewing equipment	Equipped with Hydraulic motor drive and a planetary gear speed reducer (built-in negative brake), Free / Lock change-over type	
Slewing bearing	Ball bearing type	
Outriggers	Type	Hydraulic H-beam type (with float and vertical cylinder in single unit)
	Extension width	5,400mm (Fully extended)
		4,800mm (Intermediately extended)
		4,300mm (Intermediately extended)
		3,200mm (Intermediately extended)
1,930mm (Completely retracted)		
Wire rope for hoisting	Main winch	Diameter: 14mm × Length: 155m
	Auxiliary winch	Diameter: 14mm × Length: 76m
● Hydraulic equipment		
Oil pump	4 pumps, plunger and gear type	
Hydraulic motor	Hoisting motor	Axial plunger type
	Slewing motor	Axial plunger type
Control valve	Double acting with integral check and relief valves (With Hydraulic compensated flow control valve)	
Cylinder	Double acting type	
Oil reservoir capacity	240L	
● Safety devices		
ACS (Automatic Crane System with Voice alarm), ACS outside indicator (LED), Slewing automatic stop system, Working range limit mode, Outrigger status detector, Electronical horizontal detector, Boom derricking / telescoping holding valve, Jib derricking holding valve, Overhoist prevention device, Winch holding valve, Automatic winch brake, Winch drum roller, Winch drum turning indication device, Winch over unwinding device, Hydraulic safety valves, Outrigger lock pins, Slewing warning lamp, Hydraulic oil temperature warning device, Hydraulic oil return filter warning device, Seat switch		
● Standard equipment		
Working light (LED) on boom, slewing table and cab, Winch view camera, Hook for 20 ton, Hook for 3.2 ton		
● Operator's cab		
All steel welded construction, 1 person, Rubber mounted, Adjustable steering wheel, Adjustable seat with suspension, Air conditioner, Power Window (external closing switch), Front windscreen wiper & washer (2 speed wiper), Roof window wiper & washer (2 speed wiper), AM/FM Radio, Interior lamp (LED), Step lamp (LED), Accessory socket (24V), USB socket (output 5V-2.4A x 2), Floor mat, Entry key system, K-COR (KATO Crane Operation Recorder)		
● Optional equipment		
PA system, Door visor, Lunch table, Air heater, Searcher hook		

■ CARRIER		
● Carrier specification		
Maximum traveling speed	55km/h	
Grade ability	60% (computed at G.V.W. = 19,755 kg)	
Minimum turning radius (center of extreme outer tire)	8.0m (2 wheel steer) 4.7m (4 wheel steer)	
● Engine		
Model	Cummins QSB6.7 (EU Stage 4)	
Type	4 cycle, 6 cylinders, water cooled, direct injection turbo-charged diesel engine with intercooling	
Piston displacement	6.690L	
Max. power	175kW at 2,300min ⁻¹	
Max. torque	888N·m at 1,500min ⁻¹	
Diesel Fuel recommended by KATO must be used		
● Equipment and structure		
Drive system	Switches between 2 wheel drive (4×2) and 4 wheel drive (4×4)	
Torque converter	Engine mounted 3 elements 1 stage (with lock up clutch)	
Transmission	Remote mounted full automatic	
Number of speeds	4 forward & 1 reverse speed	
Axles	Front	Planetary, drive/steer type
	Rear	Planetary, drive/steer type
Suspension	Front	Taper-leaf spring, Hydraulic locking device with suspension cylinder
	Rear	Taper-leaf spring, Hydraulic locking device with suspension cylinder
Brake system	Service	Air-over hydraulic disk brake on 4 wheels (front and rear independent circuit)
	Parking	Spring applied, electrically air released parking brake mounted on front axle, internal expanding type
	Auxiliary	Exhaust brake, Service brake lock
Steering	Full hydraulic power steering, Completely independent front and rear steering (with automatic rear wheel steering lock system)	
Tire size	Front	325 / 95 R24 162 / 160K
	Rear	325 / 95 R24 162 / 160K
Fuel tank capacity	250 L	
Batteries	(12V-120Ah) × 2	
● Safety devices		
Emergency steering device, Rear wheel steering lock system (automatic), Brake fluid leak warning device, Service brake lock, Suspension lock, Engine overspeed alarm, Electrically retractable side view mirrors, Left front view camera, Rear view camera, Clearance sonar system, Radiator coolant level warning device, Air filter service warning device, Low air warning device, Boom guard		
● Standard equipment		
Hydraulic oil cooler, LED head lamp		
● Optional equipment		
Wheel stopper, Way side lamp, Side marker lamp, Rear view camera (Wireless, mounted on carrier), Storage box, Electrically retractable side view mirrors with defroster, Aluminum outrigger plate and storage		
■ GENERAL Dimensions		
Overall length	8,710mm	
Overall width	2,290mm	
Overall height	3,245mm	
Wheel base	3,250mm	
Treads	Front	1,920mm
	Rear	1,920mm
Passenger capacity	One person	
Gross vehicle weight	Gross weight	approx. 19,755kg (without Optional equipments)
	Front weight	approx. 9,910kg (without Optional equipments)
	Rear weight	approx. 9,845kg (without Optional equipments)
● Stow the hooks in place before traveling.		
● Before you use this machine, read the precautions in the instruction manual thoroughly to operate it correctly.		
● KATO products and specifications are subject to improvements and changes without notice.		

Notes for the lifting capacity chart

When the outriggers are used

- The lifting capacity chart indicates the maximum load which can be lifted by this crane provided it is level and standing on firm level ground. The values in the chart include the mass of the main hook and slings for boom operation, and auxiliary hook and slings for jib operation.
The values in the chart are values with the main and auxiliary hooks removed and main and auxiliary wire ropes stowed for searcher hook operation.
[20 ton hook (mass: 150kg), 3.2 ton hook (mass: 60kg)]
Within the chart the figures in the area bordered with a thick line are based on structural limitations while other figures are determined by stability limitations.
- The working radii are the actual values allowing for boom and jib deflection. Therefore you must always operate the crane on the basis of the working radius.
- The jib working radii are based on the jib mounted on the end of the 19.6m or 28.0m boom. If the boom is at any other length (more than 19.6m and less than 28.0m), use the boom angle for the 28.0m boom alone as the criterion.
If the boom length is less than 19.6m, use the boom angle for the 19.6m boom alone as the criterion.
- Do not operate the jib when the outriggers are completely retracted.
- The lifting capacities for the over sides vary with the outriggers extension width. Therefore for each outriggers extension condition you should work according the lifting capacity chart. Use the lifting capacity chart of outriggers full extension for both front and rear areas lifting capacities.

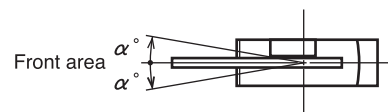


Outrigger extension status	Intermediate extension (4.8m)	Intermediate extension (4.3m)	Intermediate extension (3.2m)	Complete retraction
Area α°	30	20	15	3

- The lifting capacity of the rooster sheave is the lifting capacity of the boom minus the mass of all attached hook, slings etc. to the boom, with an upper limit of 3,200kg.
[The hook for use with the rooster sheave is the 3.2 ton hook (mass: 60kg) with one part of line.]
- If the boom length, boom angle, working radius and/or jib angle exceeds the rated value, use the lifting capacity for the rated value or for the next one, whichever gives the smaller lifting capacity.
- If you are working with the boom while the jib is rigged, subtract 1,500 kg plus the mass of all attached hook, slings, etc. to the boom from the each lifting capacity of the boom, with an upper limit of 10 ton. Do not use the rooster sheave in this situation. And do not operate the boom while the jib is rigged, when the outriggers are completely retracted.
- If you are working with the boom while the searcher hook is rigged, subtract 80 kg plus the mass of all attached hook, slings, etc. to the boom from each lifting capacity of the boom.
- The lifting load with which you can extend or retract the boom during searcher hook operation may become smaller than the lifting capacity depending on the conditions such as the oil pressure, boom angle, lubricating state to the boom, etc.
- In whatever working conditions the corresponding boom critical angle is shown in the chart. The crane can tip over if the boom is lowered below the critical angle even if unloaded. Therefore, never lower the boom below these angles.
- The standard parts of line for each boom length are as indicated in the chart. If you work with a non-standard number of parts of line, do not exceed 28.4 kN (2.9 tf) per wire rope respectively.
- High-speed winch operation should be performed with only the hook. Avoid sudden lever operation.
- Crane operation is permissible up to a wind speed of 10m/s. Even in relatively light wind conditions, extra care should be taken when handling loads presenting large wind catching areas.
- The boom guard must be removed during crane operation.
- If you work with a load in excess of the lifting capacity or use incorrect working procedures, you are risking damaging the crane or tipping it over. In such cases, the crane will not be guaranteed.

When the outriggers are not used

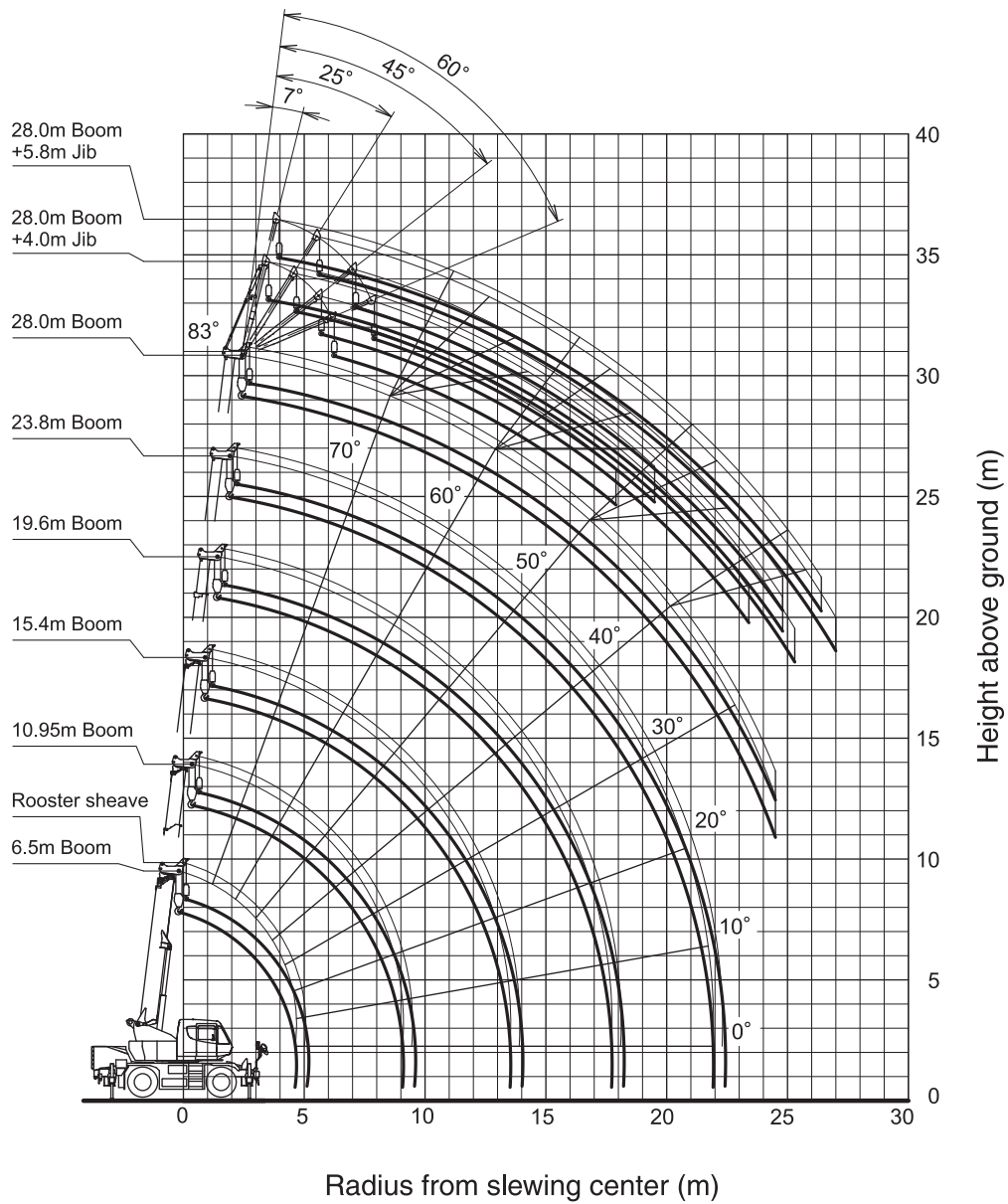
- The lifting capacity chart indicates the maximum load the crane can lift when its body is level on firm level ground with all tires inflated to the rated pressure and suspension cylinder completely retracted. The values in the chart include the mass of the main hook and slings.
The values in the chart are values with the main and auxiliary hooks removed and main and auxiliary wire ropes stowed for searcher hook operation.
Within the chart the figures in the area bordered with a thick line are based on structural limitations while other figures are determined by stability limitations.
[Rated tire pressure: 900kPa (9.0 kgf/cm²)]
- The working radii are the actual values allowing for boom deflection. Therefore you must always operate the crane on the basis of the working radius.
- The lifting capacity differs between the front area capacity and the full range capacity. When slewing from the front to the side, take care that the crane could not be over loaded.



Crane operation	Stationary crane-on-rubber operation	Pick and carry operation
Area α°	1	1

- Work within the capacity indicated in the lifting capacity chart.
- For stationary crane-on-rubber operation, the parking brake and service brake lock device must be engaged.
- For pick and carry operation, the high/low speed switch must be switched to "ON" (low range) and the shift lever set to speed 1.
- For pick and carry operation, lower the load to just above the ground and keep your speed strictly below 2km/h to avoid swinging the load. Take particular care to avoid sharp turns, sudden starts and stops.
- Never operate the crane during pick and carry operation. The slewing brake must be applied.
- The lifting capacity of the rooster sheave is the lifting capacity of the boom minus the mass of all attached hook, slings etc. to the boom, with an upper limit of 3,200kg.
[The hook for use with the rooster sheave is the 3.2 ton hook (mass: 60kg) with one part of line.]
- If the boom length, boom angle and/or working radius exceeds the rated value, use the lifting capacity for the rated value or for the next one, whichever gives the smaller lifting capacity.
- The lifting load with which you can extend or retract the boom during searcher hook operation may become smaller than the lifting capacity depending on the conditions such as the oil pressure, boom angle, lubricating state to the boom, etc.
- In whatever working conditions the corresponding boom critical angle is shown in the chart. The crane can tip over if the boom is lowered below the critical angle even if unloaded. Therefore, never lower the boom below these angles.
- The standard parts of line for each boom length are as indicated in the chart. If you work with a non-standard number of parts of line, do not exceed 28.4 kN (2.9 tf) per wire rope respectively.
- High-speed winch operation should be performed with only the hook. Avoid sudden lever operation.
- Crane operation is permissible up to a wind speed of 10m/s. Even in relatively light wind conditions, extra care should be taken when handling loads presenting large wind catching areas.
- The boom guard must be removed during crane operation.
- If you work with a load in excess of the lifting capacity or use incorrect working procedures, you are risking damaging the crane or tipping it over. In such cases, the crane will not be guaranteed.

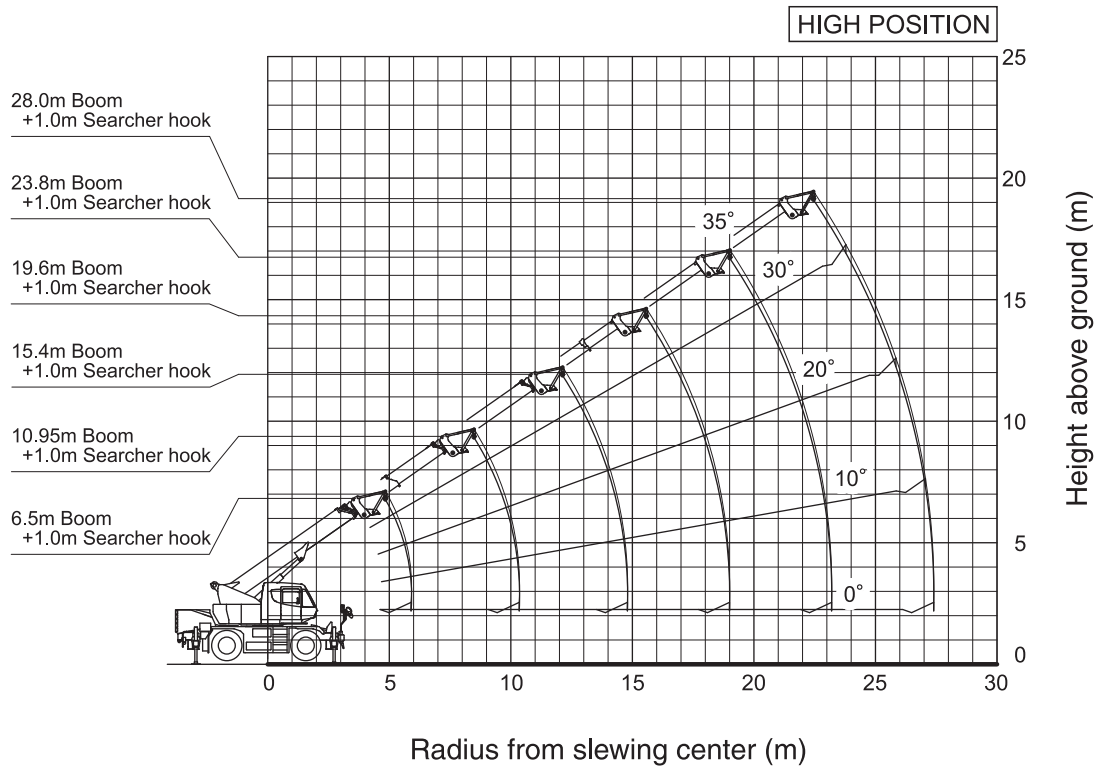
WORKING RANGE



Notes:

1. This diagram does not include deflection of Boom and Jib.
2. The outriggers are fully extended.

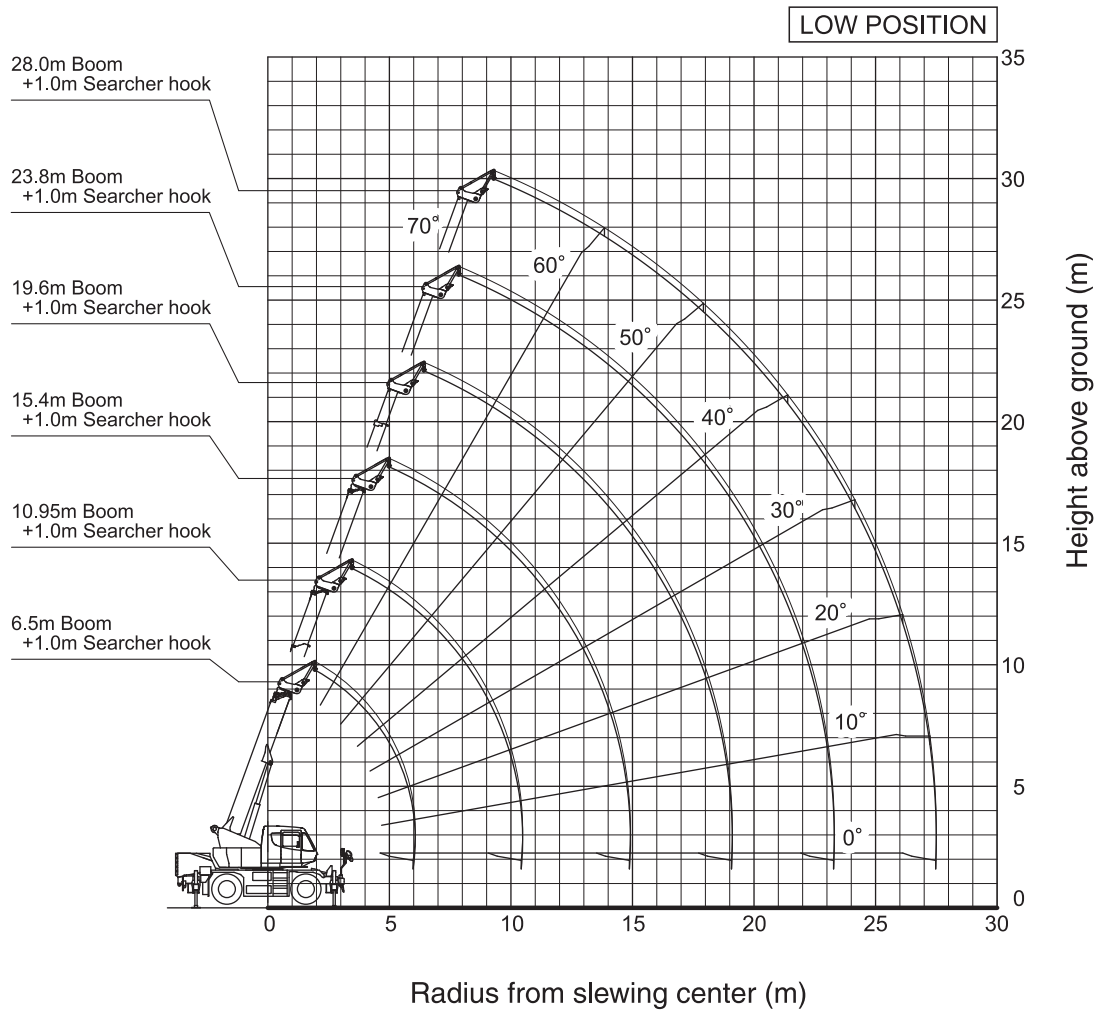
WORKING RANGE



Notes:

1. This diagram does not include deflection of Boom and Searcher hook.
2. The outriggers are fully extended.

WORKING RANGE



Notes:

1. This diagram does not include deflection of Boom and Searcher hook.
2. The outriggers are fully extended.



RATED LIFTING CAPACITY

Based on ISO 4305
Not exceed 75% of static tipping loads

6.5m — 28.0m Boom

Working radius (m)	(5.4m)						(4.8m)						(4.3m)						(3.2m)						(1.93m)						
	Outriggers fully extended (5.4m) - 360° full range						Outriggers intermediately extended (4.8m) - over side						Outriggers intermediately extended (4.3m) - over side						Outriggers intermediately extended (3.2m) - over side						Outriggers completely retracted (1.93m) - over side (H-type outrigger only)						
	6.5m Boom	10.95m Boom	15.4m Boom	19.6m Boom	23.8m Boom	28.0m Boom	6.5m Boom	10.95m Boom	15.4m Boom	19.6m Boom	23.8m Boom	28.0m Boom	6.5m Boom	10.95m Boom	15.4m Boom	19.6m Boom	23.8m Boom	28.0m Boom	6.5m Boom	10.95m Boom	15.4m Boom	19.6m Boom	23.8m Boom	28.0m Boom	6.5m Boom	10.95m Boom	15.4m Boom	19.6m Boom	23.8m Boom	28.0m Boom	
2.5	20.00*	12.50	10.00	7.50			20.00*	12.50	10.00	7.50			20.00*	12.50	10.00	7.50			17.70	12.50	10.00	7.50			8.15	7.95	6.90	6.60			
3.0	18.50*	12.50	10.00	7.50			18.00*	12.50	10.00	7.50			17.45	12.50	10.00	7.50			14.55	12.50	10.00	7.50			5.80	5.65	5.25	5.20			
3.5	16.20	12.50	10.00	7.50	6.00	5.00	16.00	12.50	10.00	7.50	6.00	5.00	15.00	12.50	10.00	7.50	6.00	5.00	10.40	10.20	9.55	7.50	6.00	5.00	4.35	4.20	4.10	4.15	4.05	3.90	
4.0	14.00	12.50	10.00	7.50	6.00	5.00	14.00	12.50	10.00	7.50	6.00	5.00	13.00	12.50	10.00	7.50	6.00	5.00	7.95	7.75	7.70	7.50	6.00	5.00	3.40	3.25	3.20	3.55	3.35	3.30	
4.5	12.00	12.00	10.00	7.50	6.00	5.00	12.00	12.00	10.00	7.50	6.00	5.00	11.15	10.95	10.00	7.50	6.00	5.00	6.30	6.15	6.10	6.30	6.00	5.00	2.70	2.55	2.50	2.85	2.80	2.75	
5.0		11.05	10.00	7.50	6.00	5.00		10.90	10.00	7.50	6.00	5.00		8.75	8.70	7.50	6.00	5.00		5.00	4.95	5.30	5.25	5.00		2.00	2.00	2.30	2.35	2.35	
5.5		10.20	9.30	7.50	6.00	5.00		8.85	8.80	7.50	6.00	5.00		7.20	7.15	7.50	6.00	5.00		4.10	4.05	4.45	4.55	4.50		1.60	1.55	1.85	1.95	2.00	
6.0		9.30	8.55	7.50	6.00	5.00		7.40	7.35	7.50	6.00	5.00		6.05	6.00	6.40	6.00	5.00		3.45	3.40	3.75	3.95	3.95		1.25	1.20	1.55	1.65	1.70	
6.5		7.85	7.80	7.10	5.75	5.00		6.30	6.25	6.65	5.75	5.00		5.15	5.10	5.45	5.70	5.00		2.95	2.90	3.20	3.40	3.50		0.95	0.90	1.25	1.35	1.45	
7.0		6.75	6.70	6.55	5.40	4.65		5.40	5.35	5.75	5.40	4.65		4.45	4.35	4.75	4.95	4.65		2.50	2.45	2.75	2.95	3.10		0.70	0.70	1.00	1.15	1.20	
8.0		5.15	5.10	5.45	4.75	4.05		4.15	4.05	4.45	4.65	4.05		3.35	3.30	3.65	3.85	4.00		1.80	1.75	2.10	2.30	2.40							
9.0		4.05	4.00	4.35	4.25	3.60		3.25	3.15	3.50	3.75	3.60		2.60	2.50	2.90	3.10	3.25		1.30	1.20	1.55	1.75	1.90							
10.0			3.20	3.55	3.75	3.20			2.45	2.85	3.05	3.20			1.90	2.30	2.50	2.65			0.80	1.15	1.35	1.50							
11.0			2.55	2.90	3.10	2.90			1.95	2.30	2.50	2.65			1.45	1.80	2.00	2.15			0.50	0.80	1.00	1.15							
12.0			2.05	2.40	2.60	2.65			1.50	1.85	2.05	2.20			1.10	1.45	1.65	1.80				0.55	0.75	0.90							
13.0			1.65	2.00	2.20	2.35			1.15	1.50	1.70	1.85			0.80	1.10	1.30	1.45				0.35	0.55	0.70							
14.0			1.45 (13.5m)	1.65	1.85	2.00			1.00 (13.5m)	1.20	1.40	1.55			0.65 (13.5m)	0.85	1.05	1.20					0.35	0.50							
15.0				1.35	1.55	1.70				0.95	1.15	1.30				0.65	0.85	1.00					0.35								
16.0				1.10	1.30	1.45				0.75	0.95	1.10				0.45	0.65	0.80													
17.0				0.90	1.10	1.25				0.60	0.75	0.90				0.30	0.50	0.65													
18.0				0.80 (17.5m)	0.90	1.05				0.50 (17.5m)	0.60	0.75					0.35	0.50													
19.0					0.75	0.90					0.45	0.60						0.35													
20.0					0.60	0.75					0.35	0.50																			
21.0						0.50	0.60					0.35																			
22.0						0.45 (21.5m)	0.50																								
23.0							0.40																								
24.5							0.30																								
Critical boom angle	—	—	—	—	—	18°	—	—	—	—	22°	35°	—	—	—	12°	33°	42°	—	—	33°	41°	50°	56°	—	36°	59°	64°	69°	72°	
Standard hook	for 20 ton						for 20 ton						for 20 ton						for 20 ton						for 20 ton						
Hook mass	150kg						150kg						150kg						150kg						150kg						
Parts of line	7*,6	6	4				7*,6	6	4				7*,6	6	4				6	4					6	4					

(Unit: Metric ton)



Based on ISO 4305
Not exceed 75% of static tipping loads

19.6m Boom + 4.0m Jib

(5.4m) Outriggers fully extended (5.4m) - 360° full range								(4.8m) Outriggers intermediately extended (4.8m) - over side								(4.3m) Outriggers intermediately extended (4.3m) - over side												
Boom angle (°)	Offset 7°		Offset 25°		Offset 45°		Offset 60°		Boom angle (°)	Offset 7°		Offset 25°		Offset 45°		Offset 60°		Boom angle (°)	Offset 7°		Offset 25°		Offset 45°		Offset 60°			
	Working radius (m)	Load (ton)	Working radius (m)	Load (ton)	Working radius (m)	Load (ton)	Working radius (m)	Load (ton)		Working radius (m)	Load (ton)	Working radius (m)	Load (ton)	Working radius (m)	Load (ton)	Working radius (m)	Load (ton)		Working radius (m)	Load (ton)	Working radius (m)	Load (ton)	Working radius (m)	Load (ton)	Working radius (m)	Load (ton)	Working radius (m)	Load (ton)
83	2.7	2.50	3.9	2.00	4.9	1.50	5.4	1.20	83	2.7	2.50	3.9	2.00	4.9	1.50	5.4	1.20	83	2.7	2.50	3.9	2.00	4.9	1.50	5.4	1.20		
80	3.9	2.50	5.1	2.00	6.0	1.50	6.5	1.20	80	3.9	2.50	5.1	2.00	6.0	1.50	6.5	1.20	80	3.9	2.50	5.1	2.00	6.0	1.50	6.5	1.20		
75	6.0	2.50	7.1	2.00	7.9	1.50	8.3	1.20	75	6.0	2.50	7.1	2.00	7.9	1.50	8.3	1.20	75	6.0	2.50	7.1	2.00	7.9	1.50	8.3	1.20		
70	8.0	2.50	9.0	2.00	9.7	1.50	10.0	1.20	70	8.0	2.50	9.0	2.00	9.7	1.50	10.0	1.20	70	8.0	2.50	9.0	2.00	9.7	1.50	10.0	1.20		
65	9.9	2.50	10.8	2.00	11.3	1.50	11.6	1.20	65	9.9	2.50	10.8	2.00	11.3	1.50	11.6	1.20	65	9.9	2.50	10.8	2.00	11.3	1.50	11.6	1.20		
62	11.0	2.50	11.8	2.00	12.4	1.50	12.6	1.20	62	11.0	2.50	11.8	2.00	12.4	1.50	12.6	1.20	62	11.7	1.78	12.5	1.64	13.0	1.50	13.2	1.20		
60	11.7	2.50	12.5	1.95	13.0	1.50	13.2	1.20	60	11.7	2.23	12.5	1.90	13.0	1.50	13.2	1.20	55	13.3	1.26	13.9	1.21	14.4	1.15				
57	12.8	2.30	13.4	1.90	13.8	1.50			57	12.8	1.80	13.4	1.72	13.8	1.50			50	14.7	0.91	15.4	0.85	15.7	0.84				
55	13.4	2.07	14.1	1.85	14.4	1.50			55	13.3	1.63	14.1	1.45	14.4	1.43			45	16.1	0.63	16.7	0.60	17.1	0.55				
50	14.9	1.58	15.5	1.51	15.8	1.48			50	14.8	1.21	15.4	1.16	15.8	1.11			40	17.3	0.43	17.8	0.41						
45	16.2	1.25	16.8	1.19	17.1	1.15			45	16.1	0.92	16.7	0.87	17.1	0.82			35	18.5	0.26	18.9	0.25						
40	17.4	1.00	17.8	0.98					40	17.3	0.69	18.0	0.63					Critical boom angle	34°		34°		44°		59°			
35	18.6	0.78	18.8	0.77					35	18.5	0.50	18.9	0.49					Standard hook	For 3.2 ton									
30	19.5	0.64	19.8	0.62					30	19.5	0.36	19.8	0.35					Hook mass	60kg									
25	20.3	0.53	20.8	0.47					27	20.1	0.29	20.4	0.27					Parts of line	1									
20	21.0	0.43							Critical boom angle	26°		26°		44°		59°												
15	21.3	0.40							Standard hook	For 3.2 ton																		
7	21.7	0.30							Hook mass	60kg																		
Critical boom angle	6°		24°		44°		59°		Parts of line	1																		
Standard hook	For 3.2 ton																											
Hook mass	60kg																											
Parts of line	1																											

19.6m Boom + 4.0m Jib

(3.2m) Outriggers intermediately extended (3.2m) - over side								
Boom angle (°)	Offset 7°		Offset 25°		Offset 45°		Offset 60°	
	Working radius (m)	Load (ton)	Working radius (m)	Load (ton)	Working radius (m)	Load (ton)	Working radius (m)	Load (ton)
83	2.7	2.50	3.9	2.00	4.9	1.50	5.4	1.20
80	3.9	2.50	5.1	2.00	6.0	1.50	6.5	1.20
75	6.0	2.50	7.1	2.00	7.9	1.50	8.3	1.20
73	6.8	2.50	7.8	2.00	8.6	1.50	9.0	1.20
70	8.0	2.35	9.0	2.00	9.7	1.50	10.0	1.20
67	9.2	1.75	10.1	1.55	10.7	1.40	11.0	1.20
65	9.8	1.50	10.8	1.30	11.3	1.25	11.6	1.15
60	11.5	0.92	12.4	0.82	12.9	0.79	13.2	0.73
55	13.1	0.53	13.9	0.48	14.3	0.47		
52	14.2	0.32	14.8	0.32	15.2	0.30		
Critical boom angle	51°		51°		51°		59°	
Standard hook	For 3.2 ton							
Hook mass	60kg							
Parts of line	1							

19.6m Boom + 5.8m Jib

(5.4m) Outriggers fully extended (5.4m) - 360° full range								(4.8m) Outriggers intermediately extended (4.8m) - over side																				
Boom angle (°)	Offset 7°		Offset 25°		Offset 45°		Offset 60°		Boom angle (°)	Offset 7°		Offset 25°		Offset 45°		Offset 60°												
	Working radius (m)	Load (ton)	Working radius (m)	Load (ton)	Working radius (m)	Load (ton)	Working radius (m)	Load (ton)		Working radius (m)	Load (ton)	Working radius (m)	Load (ton)	Working radius (m)	Load (ton)	Working radius (m)	Load (ton)											
83	3.2	2.00	4.5	1.10	6.3	0.75	7.0	0.60	83	3.2	2.00	4.5	1.10	6.3	0.75	7.0	0.60											
80	4.6	2.00	6.1	1.10	7.4	0.75	8.1	0.60	80	4.6	2.00	6.1	1.10	7.4	0.75	8.1	0.60											
78	5.4	2.00	7.0	1.10	8.3	0.74	8.9	0.60	78	5.4	2.00	7.0	1.10	8.3	0.74	8.9	0.60											
75	6.7	2.00	8.2	1.05	9.4	0.72	10.0	0.60	75	6.7	2.00	8.2	1.05	9.4	0.72	10.0	0.60											
70	8.8	1.70	10.1	0.96	11.2	0.68	11.7	0.60	70	8.8	1.70	10.1	0.96	11.2	0.68	11.7	0.60											
65	10.8	1.40	12.0	0.87	13.0	0.66	13.3	0.60	65	10.8	1.40	12.0	0.87	13.0	0.66	13.3	0.60											
60	12.7	1.20	13.8	0.80	14.6	0.64	14.8	0.60	60	12.7	1.20	13.8	0.80	14.6	0.64	14.8	0.60											
55	14.5	1.05	15.5	0.75	16.1	0.63			55	14.5	1.05	15.5	0.75	16.1	0.63													
50	16.1	0.96	17.1	0.72	17.5	0.62			50	16.1	0.96	17.1	0.72	17.5	0.62													
45	17.6	0.88	18.3	0.69	18.8	0.60			48	16.8	0.90	17.6	0.71	18.0	0.61													
40	18.9	0.81	19.5	0.68					45	17.6	0.81	18.3	0.68	18.8	0.60													
37	19.7	0.77	20.2	0.67					40	18.9	0.61	19.6	0.58															
35	20.2	0.70	20.7	0.65					35	20.2	0.43	20.6	0.43															
30	21.2	0.57	21.6	0.55					30	21.2	0.32	21.5	0.32															
25	21.9	0.48	22.4	0.45					27	21.5	0.28	22.0	0.26															
20	22.7	0.39							Critical boom angle	26°		26°		44°		59°												
15	23.1	0.35							Standard hook	For 3.2 ton																		
7	23.5	0.23							Hook mass	60kg																		
Critical boom angle	6°		24°		44°		59°		Parts of line	1																		
Standard hook	For 3.2 ton																											
Hook mass	60kg																											
Parts of line	1																											

19.6m Boom + 5.8m Jib

(4.3m) Outriggers intermediately extended (4.3m) - over side								(3.2m) Outriggers intermediately extended (3.2m) - over side																				
Boom angle (°)	Offset 7°		Offset 25°		Offset 45°		Offset 60°		Boom angle (°)	Offset 7°		Offset 25°		Offset 45°		Offset 60°												
	Working radius (m)	Load (ton)	Working radius (m)	Load (ton)	Working radius (m)	Load (ton)	Working radius (m)	Load (ton)		Working radius (m)	Load (ton)	Working radius (m)	Load (ton)	Working radius (m)	Load (ton)	Working radius (m)	Load (ton)											
83	3.2	2.00	4.5	1.10	6.3	0.75	7.0	0.60	83	3.2	2.00	4.5	1.10	6.3	0.75	7.0	0.60											
80	4.6	2.00	6.1	1.10	7.4	0.75	8.1	0.60	80	4.6	2.00	6.1	1.10	7.4	0.75	8.1	0.60											
78	5.4	2.00	7.0	1.10	8.3	0.74	8.9	0.60	78	5.4	2.00	7.0	1.10	8.3	0.74	8.9	0.60											
75	6.7	2.00	8.2	1.05	9.4	0.72	10.0	0.60	75	6.7	2.00	8.2	1.05	9.4	0.72	10.0	0.60											
70	8.8	1.70	10.1	0.96	11.2	0.68	11.7	0.60	70	8.8	1.70	10.1	0.96	11.2	0.68	11.7	0.60											
65	10.8	1.40	12.0	0.87	13.0	0.66	13.3	0.60	68	9.7	1.50	10.9	0.92	12.0	0.67	12.4	0.60											
60	12.7	1.20	13.8	0.80	14.6	0.64	14.8	0.60	65	10.8	1.30	12.0	0.87	13.0	0.66	13.3	0.60											
55	14.5	1.05	15.5	0.75	16.1	0.63			60	12.7	0.79	13.9	0.70	14.6	0.63	14.8	0.60											
54	14.8	1.00	15.8	0.74	16.4	0.63			55	14.4	0.45	15.5	0.41	16.1	0.40													
50	16.1	0.80	17.1	0.71	17.5	0.62			52	15.5	0.28	16.4	0.27	17.0	0.25													
45	17.6	0.55	18.4	0.52	18.8	0.50			Critical boom angle	51°		51°		51°		59°												
40	18.9	0.37	19.6	0.35					Standard hook	For 3.2 ton																		
36	19.9	0.25	20.4	0.25					Hook mass	60kg																		
Critical boom angle	35°		35°		44°		59°		Parts of line	1																		
Standard hook	For 3.2 ton																											
Hook mass	60kg																											
Parts of line	1																											



Based on ISO 4305
Not exceed 75% of static tipping loads

28.0m Boom + 4.0m Jib

(5.4m) Outriggers fully extended (5.4m) - 360° full range								(4.8m) Outriggers intermediately extended (4.8m) - over side								(4.3m) Outriggers intermediately extended (4.3m) - over side										
Boom angle (°)	Offset 7°		Offset 25°		Offset 45°		Offset 60°		Boom angle (°)	Offset 7°		Offset 25°		Offset 45°		Offset 60°		Boom angle (°)	Offset 7°		Offset 25°		Offset 45°		Offset 60°	
	Working radius (m)	Load (ton)	Working radius (m)	Load (ton)	Working radius (m)	Load (ton)	Working radius (m)	Load (ton)		Working radius (m)	Load (ton)	Working radius (m)	Load (ton)	Working radius (m)	Load (ton)	Working radius (m)	Load (ton)		Working radius (m)	Load (ton)	Working radius (m)	Load (ton)	Working radius (m)	Load (ton)	Working radius (m)	Load (ton)
83	4.2	2.50	5.4	2.00	6.4	1.50	6.8	1.20	83	4.2	2.50	5.4	2.00	6.4	1.50	6.8	1.20	83	4.2	2.50	5.4	2.00	6.4	1.50	6.8	1.20
80	6.0	2.50	7.2	2.00	8.0	1.50	8.4	1.20	80	6.0	2.50	7.2	2.00	8.0	1.50	8.4	1.20	80	6.0	2.50	7.2	2.00	8.0	1.50	8.4	1.20
77	7.8	2.50	8.9	2.00	9.6	1.50	10.0	1.20	77	7.8	2.50	8.9	2.00	9.6	1.50	10.0	1.20	77	7.8	2.50	8.9	2.00	9.6	1.50	10.0	1.20
75	9.0	2.50	9.9	1.90	10.7	1.50	11.0	1.20	75	9.0	2.50	9.9	1.90	10.7	1.50	11.0	1.20	75	9.0	2.50	9.9	1.90	10.7	1.50	11.0	1.20
70	11.6	2.05	12.5	1.65	13.2	1.35	13.4	1.20	70	11.6	2.05	12.5	1.65	13.2	1.35	13.4	1.20	70	11.6	2.15	11.5	1.70	12.2	1.40	12.9	1.20
65	14.2	1.65	15.0	1.40	15.6	1.20	15.7	1.20	65	13.1	1.80	14.0	1.50	14.7	1.25	14.8	1.20	65	13.1	1.95	12.5	1.60	13.2	1.35	13.4	1.20
60	16.5	1.30	17.3	1.20	17.7	1.10	17.9	1.10	60	16.5	1.42	15.6	1.50	14.0	1.40	15.6	1.20	60	13.2	1.48	14.1	1.36	14.7	1.23	14.8	1.20
57	17.9	1.10	18.6	1.05	18.9	1.02			57	15.1	1.33	16.0	1.23	16.5	1.15	16.6	1.15	57	14.0	1.27	15.0	1.14	15.6	1.09	15.7	1.08
55	18.7	0.96	19.5	0.90	19.7	0.89			55	16.4	1.05	17.2	0.99	17.7	0.96	17.9	0.93	55	16.3	0.79	17.2	0.72	17.6	0.71	17.9	0.65
50	20.7	0.66	21.3	0.64	21.6	0.63			50	18.6	0.68	19.3	0.65	19.7	0.63			50	18.4	0.47	19.2	0.43	19.5	0.43		
45	22.5	0.45	23.0	0.44	23.4	0.41			45	20.5	0.43	21.2	0.40	21.5	0.40			45	19.7	0.31	20.4	0.29	20.7	0.29		
40	24.2	0.28	24.6	0.28					40	21.7	0.30	22.2	0.30	22.5	0.29			40								
38	24.8	0.23	25.3	0.22					38									38								
Critical boom angle	37°		37°		44°		59°		Critical boom angle	46°		46°		46°		59°		Critical boom angle	51°		51°		51°		59°	
Standard hook	For 3.2 ton								Standard hook	For 3.2 ton								Standard hook	For 3.2 ton							
Hook mass	60kg								Hook mass	60kg								Hook mass	60kg							
Parts of line	1								Parts of line	1								Parts of line	1							

28.0m Boom + 4.0m Jib

(3.2m) Outriggers intermediately extended (3.2m) - over side								
Boom angle (°)	Offset 7°		Offset 25°		Offset 45°		Offset 60°	
	Working radius (m)	Load (ton)	Working radius (m)	Load (ton)	Working radius (m)	Load (ton)	Working radius (m)	Load (ton)
83	4.2	2.50	5.4	2.00	6.4	1.50	6.8	1.20
80	6.0	2.50	7.2	2.00	8.0	1.50	8.4	1.20
77	7.8	2.50	8.9	2.00	9.6	1.50	10.0	1.20
75	8.8	2.08	9.9	1.80	10.7	1.50	11.0	1.20
73	10.0	1.60	10.9	1.45	11.7	1.30	12.0	1.20
70	11.3	1.17	12.3	1.04	13.1	0.95	13.4	0.92
65	13.7	0.60	14.7	0.53	15.3	0.51	15.5	0.50
Critical boom angle	64°		64°		64°		64°	
Standard hook	For 3.2 ton							
Hook mass	60kg							
Parts of line	1							

28.0m Boom + 5.8m Jib

(5.4m) Outriggers fully extended (5.4m) - 360° full range								(4.8m) Outriggers intermediately extended (4.8m) - over side									
Boom angle (°)	Offset 7°		Offset 25°		Offset 45°		Offset 60°		Boom angle (°)	Offset 7°		Offset 25°		Offset 45°		Offset 60°	
	Working radius (m)	Load (ton)	Working radius (m)	Load (ton)	Working radius (m)	Load (ton)	Working radius (m)	Load (ton)		Working radius (m)	Load (ton)	Working radius (m)	Load (ton)	Working radius (m)	Load (ton)	Working radius (m)	Load (ton)
83	4.7	2.00	6.3	1.10	7.7	0.75	8.4	0.60	83	4.7	2.00	6.3	1.10	7.7	0.75	8.4	0.60
80	6.6	2.00	8.1	1.10	9.3	0.74	10.0	0.60	80	6.6	2.00	8.1	1.10	9.3	0.74	10.0	0.60
77	9.7	2.00	11.0	1.05	12.1	0.71	12.6	0.60	77	9.7	2.00	11.0	1.05	12.1	0.71	12.6	0.60
75	12.6	1.65	13.7	0.93	14.6	0.68	15.1	0.60	75	12.6	1.65	13.7	0.93	14.6	0.68	15.1	0.60
70	15.2	1.35	16.3	0.85	17.0	0.65	17.3	0.60	70	15.2	1.33	16.3	0.85	17.0	0.65	17.3	0.60
65	17.6	1.15	18.7	0.78	19.4	0.63	19.5	0.60	65	16.2	1.21	17.2	0.82	18.0	0.64	18.2	0.60
58	18.7	1.05	19.6	0.77	20.2	0.62			58	17.6	0.95	18.7	0.78	19.4	0.63	19.5	0.60
55	20.0	0.87	20.9	0.74	21.4	0.62			55	19.1	0.72	20.0	0.70	20.6	0.62		
50	22.0	0.61	23.0	0.57	23.4	0.57			50	19.9	0.61	20.9	0.58	21.4	0.57		
45	24.0	0.41	24.7	0.40	24.8	0.40			45	21.9	0.38	22.8	0.37	23.3	0.35		
40	25.7	0.26	26.3	0.25					40	23.1	0.27	24.0	0.25	24.3	0.25		
38	26.4	0.20	27.0	0.20					38								
Critical boom angle	37°		37°		44°		59°		Critical boom angle	46°		46°		46°		59°	
Standard hook	For 3.2 ton								Standard hook	For 3.2 ton							
Hook mass	60kg								Hook mass	60kg							
Parts of line	1								Parts of line	1							



28.0m Boom + 5.8m Jib

(4.3m) Outriggers intermediately extended (4.3m) - over side								(3.2m) Outriggers intermediately extended (3.2m) - over side									
Boom angle (°)	Offset 7°		Offset 25°		Offset 45°		Offset 60°		Boom angle (°)	Offset 7°		Offset 25°		Offset 45°		Offset 60°	
	Working radius (m)	Load (ton)	Working radius (m)	Load (ton)	Working radius (m)	Load (ton)	Working radius (m)	Load (ton)		Working radius (m)	Load (ton)	Working radius (m)	Load (ton)	Working radius (m)	Load (ton)	Working radius (m)	Load (ton)
83	4.7	2.00	6.3	1.10	7.7	0.75	8.4	0.60	83	4.7	2.00	6.3	1.10	7.7	0.75	8.4	0.60
80	6.6	2.00	8.1	1.10	9.3	0.74	10.0	0.60	80	6.6	2.00	8.1	1.10	9.3	0.74	10.0	0.60
75	9.7	2.00	11.0	1.05	12.1	0.71	12.6	0.60	75	8.5	2.00	9.9	1.07	11.0	0.72	11.6	0.60
70	12.6	1.65	13.7	0.93	14.6	0.68	15.1	0.60	70	10.0	1.72	11.0	1.05	12.1	0.71	12.6	0.60
68	13.7	1.45	14.8	0.89	15.6	0.66	16.0	0.60	68	11.3	1.30	12.6	0.96	13.6	0.69	14.1	0.60
65	15.1	1.14	16.3	0.85	17.0	0.65	17.3	0.60	65	12.3	1.03	13.7	0.89	14.6	0.68	15.1	0.60
62	16.1	0.94	17.8	0.78	18.5	0.64	18.7	0.60	62	13.3	0.80	14.7	0.70	15.6	0.66	16.0	0.60
60	17.4	0.72	18.7	0.65	19.4	0.62	19.5	0.60	60	14.7	0.54	16.3	0.44	17.0	0.44	17.3	0.43
55	19.7	0.42	20.9	0.37	21.4	0.37			55								
52	21.0	0.28	22.0	0.26	22.5	0.25			52								
Critical boom angle	51°		51°		51°		59°		Critical boom angle	64°		64°		64°		64°	
Standard hook	For 3.2 ton								Standard hook	For 3.2 ton							
Hook mass	60kg								Hook mass	60kg							
Parts of line	1								Parts of line	1							



RATED LIFTING CAPACITY

■ When outriggers are not used

																			
Working radius (m)	Stationary on rubber										Pick & carry (less than 2km/h)								Working radius (m)
	6.5m Boom		10.95m Boom		15.4m Boom		19.6m Boom		6.5m Boom		10.95m Boom		15.4m Boom		19.6m Boom				
	Over front	360° full range	Over front	360° full range	Over front	360° full range	Over front	360° full range	Over front	360° full range	Over front	360° full range	Over front	360° full range	Over front	360° full range			
3.0	4.50	2.40	4.50	2.40	4.50	2.40	4.50	2.95	4.30	2.15	4.30	2.15	4.10	2.15	4.10	2.65	3.0		
3.5	4.00	1.85	4.00	1.85	4.00	1.85	4.50	2.35	3.90	1.65	3.90	1.65	3.90	1.65	4.10	2.10	3.5		
4.0	3.50	1.40	3.50	1.40	3.50	1.40	4.00	1.95	3.40	1.25	3.40	1.25	3.40	1.25	3.70	1.75	4.0		
4.5	3.20	1.10	3.20	1.10	3.20	1.10	3.60	1.60	3.00	0.90	2.95	0.90	2.95	0.90	3.35	1.40	4.5		
5.0			2.85	0.80	2.85	0.80	3.25	1.30			2.55	0.65	2.55	0.65	3.00	1.15	5.0		
5.5			2.50	0.55	2.50	0.55	2.90	1.05			2.25	0.40	2.25	0.40	2.65	0.90	5.5		
6.0			2.20	0.35	2.20	0.35	2.60	0.85			1.95		1.95		2.35	0.70	6.0		
6.5			1.95		1.95		2.35	0.70			1.70		1.70		2.10	0.50	6.5		
7.0			1.70		1.70		2.15				1.50		1.50		1.90		7.0		
8.0			1.30		1.30		1.75				1.10		1.10		1.55		8.0		
9.0					1.00		1.40						0.80		1.25		9.0		
10.0					0.75		1.10						0.35		0.95		10.0		
11.0					0.50		0.90								0.50		11.0		
12.0					0.30		0.70										12.0		
13.0							0.50										13.0		
14.0							0.40										14.0		
Critical boom angle	—	—	25°	41°	25°	60°	36°	66°	—	—	25°	46°	40°	61°	50°	66°	Critical boom angle		
Standard hook	For 20 ton										For 20 ton								Standard hook
Hook mass	150kg										150kg								Hook mass
Parts of line	4										4								Parts of line

(Unit: Metric ton)





Based on ISO 4305
Not exceed 75% of static tipping loads

RATED LIFTING CAPACITY searcher hook are used



■ When outriggers are not used

LOW POSITION

																	
Working radius (m)	Stationary on rubber								Pick & carry (less than 2km/h)								Working radius (m)
	6.5m Boom		10.95m Boom		15.4m Boom		19.6m Boom		6.5m Boom		10.95m Boom		15.4m Boom		19.6m Boom		
	Over front	360° full range	Over front	360° full range	Over front	360° full range	Over front		Over front	360° full range	Over front	360° full range	Over front	360° full range	Over front		
3.0	5.00	3.05							5.00	3.00							3.0
3.5	5.00	2.35							4.50	2.35							3.5
4.0	4.30	1.90	4.25	1.70					4.05	1.90	3.90	1.70					4.0
4.5	3.65	1.55	3.50	1.40					3.55	1.55	3.45	1.40					4.5
5.0	3.05	1.30	2.90	1.15					3.05	1.30	2.90	1.15					5.0
5.5	2.60	1.05	2.45	0.90	2.40	0.65			2.60	1.05	2.45	0.90	2.40	0.65			5.5
6.0	2.25	0.90	2.10	0.70	2.05	0.45			2.25	0.85	2.10	0.70	2.05	0.45			6.0
6.5			1.80	0.55	1.75	0.35					1.80	0.55	1.75	0.35			6.5
7.0			1.60	0.45	1.55	0.20	1.65				1.60	0.45	1.55	0.20	1.65		7.0
8.0			1.25		1.15		1.30				1.25		1.15		1.30		8.0
9.0			0.95		0.90		1.00				0.95		0.90		1.00		9.0
10.0			0.75		0.70		0.80				0.75		0.70		0.80		10.0
11.0					0.55		0.65						0.55		0.65		11.0
12.0					0.40		0.55						0.40		0.55		12.0
13.0					0.30		0.45						0.30		0.45		13.0
14.0							0.35								0.35		14.0
Critical boom angle	—	—	12°	47°	29°	61°	42°		—	—	12°	47°	29°	61°	42°		Critical boom angle

(Unit: Metric ton)

HIGH POSITION

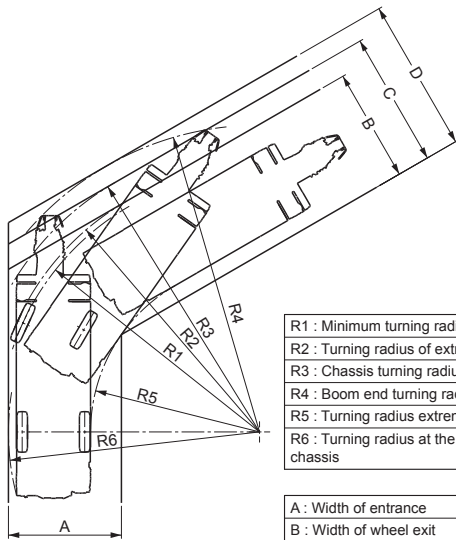
																	
Working radius (m)	Stationary on rubber								Pick & carry (less than 2km/h)								Working radius (m)
	6.5m Boom		10.95m Boom		15.4m Boom		19.6m Boom		6.5m Boom		10.95m Boom		15.4m Boom		19.6m Boom		
	Over front	360° full range	Over front	360° full range	Over front	360° full range	Over front		Over front	360° full range	Over front	360° full range	Over front	360° full range	Over front		
3.0																	3.0
3.5																	3.5
4.0																	4.0
4.5																	4.5
5.0	3.00	1.20							3.00	1.20							5.0
5.5	2.55	1.00							2.55	1.00							5.5
6.0	2.30 (5.9m)	0.90 (5.9m)							2.30 (5.9m)	0.85 (5.9m)							6.0
6.5																	6.5
7.0																	7.0
8.0																	8.0
9.0																	9.0
10.0																	10.0
11.0																	11.0
12.0																	12.0
13.0																	13.0
14.0																	14.0
Critical boom angle	—	—							—	—							Critical boom angle

(Unit: Metric ton)

Minimum path width

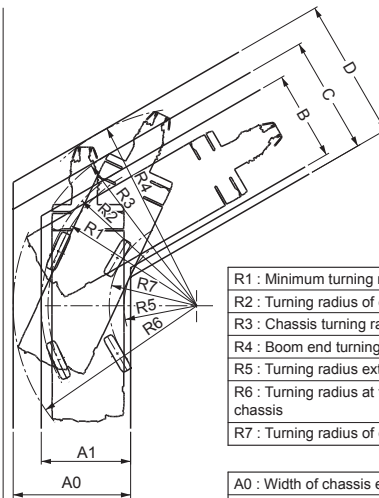
● 60°

Right turn in two-wheel steering mode



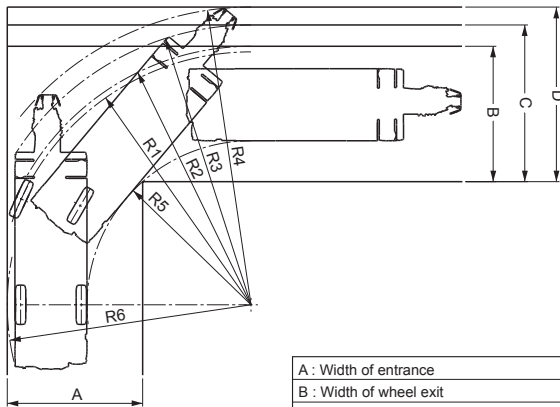
R1 : Minimum turning radius	8.00m
R2 : Turning radius of extremely outer tire	8.18m
R3 : Chassis turning radius	8.85m
R4 : Boom end turning radius	9.42m
R5 : Turning radius extremely chassis inner	5.19m
R6 : Turning radius at the rear end of the chassis	7.71m
A : Width of entrance	3.47m
B : Width of wheel exit	3.47m
C : Width of chassis exit	4.14m
D : Width of exit at end of boom	4.71m

Right turn in 4-wheel steering mode

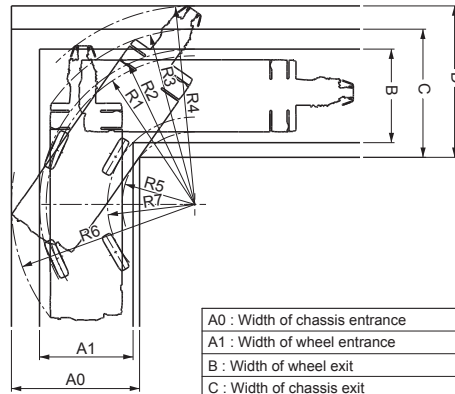


R1 : Minimum turning radius	4.70m
R2 : Turning radius of extremely outer tire	4.91m
R3 : Chassis turning radius	5.54m
R4 : Boom end turning radius	6.28m
R5 : Turning radius extremely chassis inner	2.30m
R6 : Turning radius at the rear end of the chassis	5.80m
R7 : Turning radius of extremely inner tire	2.76m
A0 : Width of chassis entrance	3.71m
A1 : Width of wheel entrance	2.83m
B : Width of wheel exit	2.83m
C : Width of chassis exit	3.71m
D : Width of exit at end of boom	4.45m

● 90°

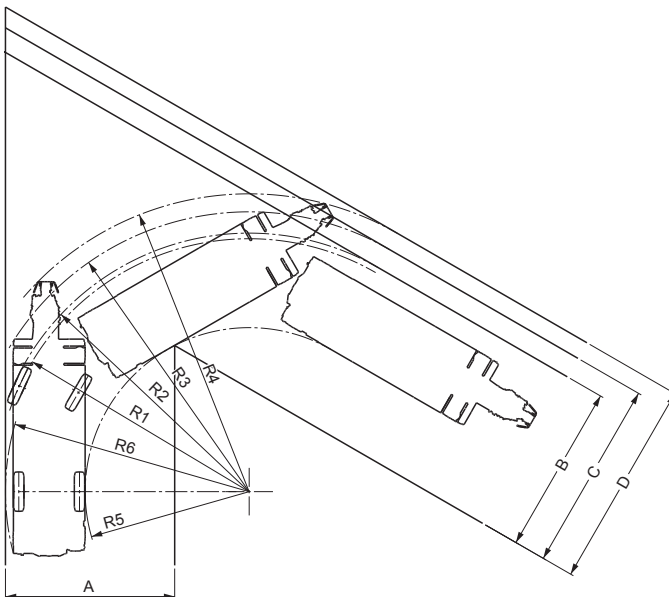


A : Width of entrance	4.28m
B : Width of wheel exit	4.28m
C : Width of chassis exit	4.96m
D : Width of exit at end of boom	5.52m

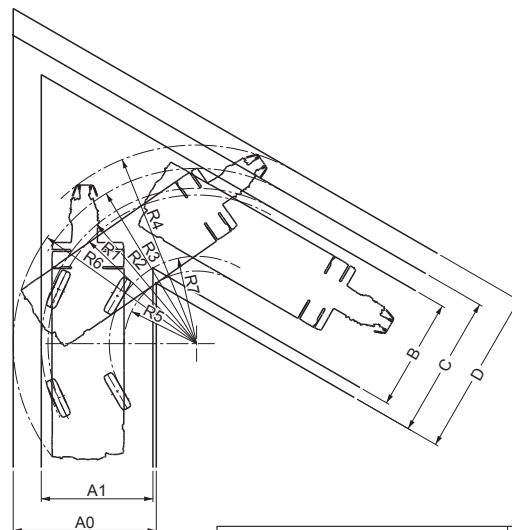


A0 : Width of chassis entrance	4.05m
A1 : Width of wheel entrance	2.96m
B : Width of wheel exit	2.96m
C : Width of chassis exit	4.05m
D : Width of exit at end of boom	4.79m

● 120°



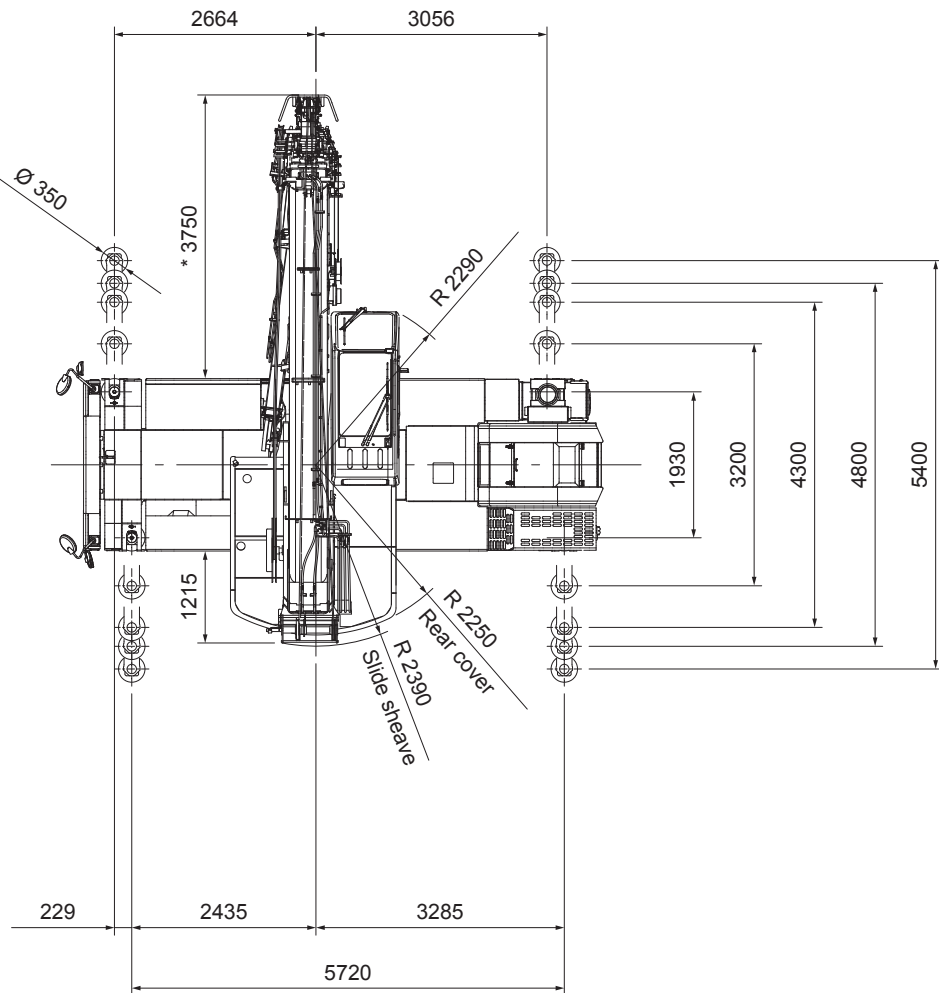
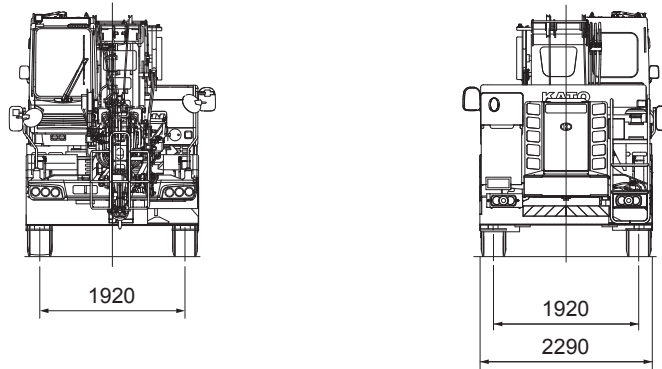
A : Width of entrance	5.35m
B : Width of wheel exit	5.35m
C : Width of chassis exit	6.03m
D : Width of exit at end of boom	6.60m



A0 : Width of chassis entrance	4.53m
A1 : Width of wheel entrance	3.53m
B : Width of wheel exit	3.53m
C : Width of chassis exit	4.53m
D : Width of exit at end of boom	5.26m

Note: The above values are based on calculations.

Overall view

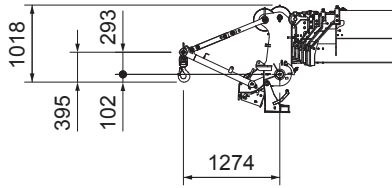


Reduced scale: 1/100 Unit (mm)

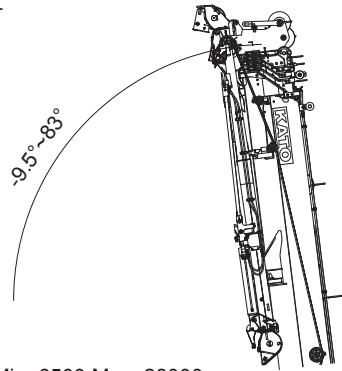
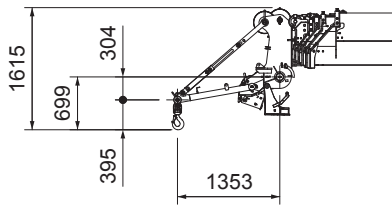
* : Indicates the dimension when the boom is horizontal

Overall view

Searcher hook (option)
High position

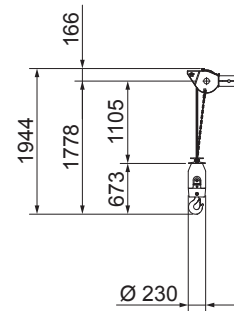
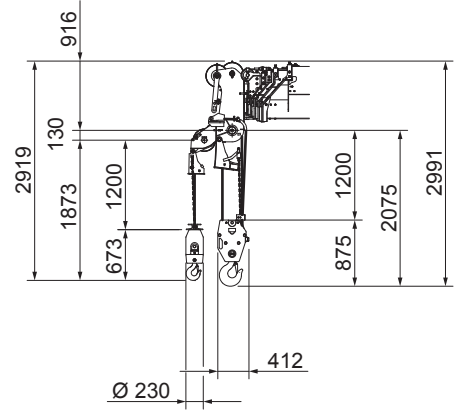
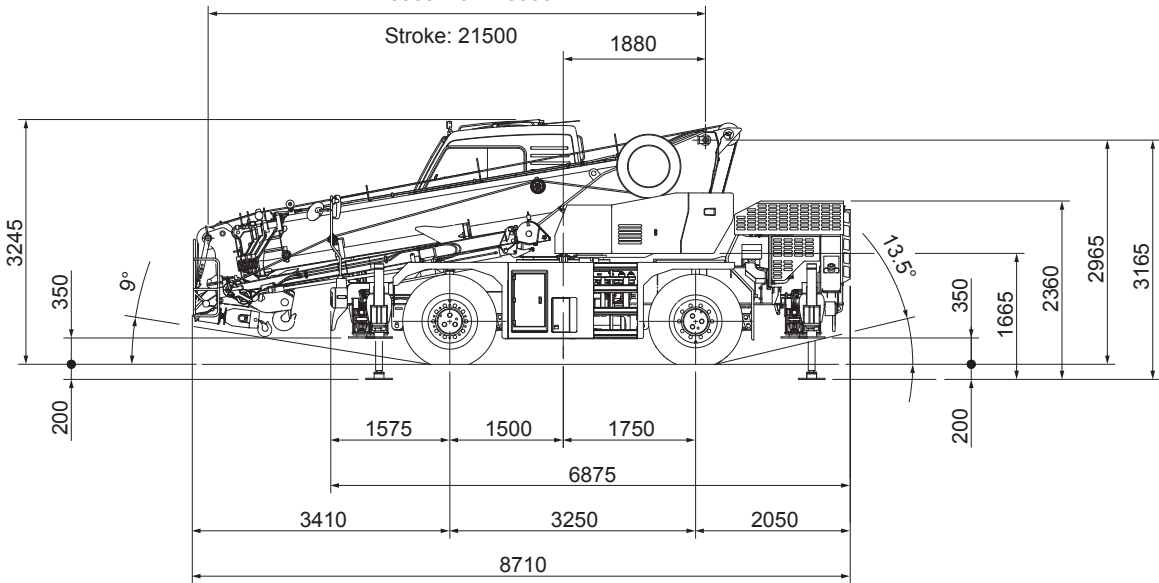


Low position



Min: 6500 Max: 28000

Stroke: 21500



Ramp break over angle: 20.5°
When the suspension is locked, the height shall be the overall height: - 40 mm.
(Suspension cylinder completely retracted)

Reduced scale: 1/100 Unit (mm)

* KATO products and specifications are subject to improvements and changes without notice.

Address inquiries to:

KATO

KATO WORKS CO.,LTD.

9-37, Higashi-ohi 1-chome, Shinagawa-ku, Tokyo, 140-0011, Japan

Tel. : Head Office Tokyo (03) 3458-1111
Overseas Marketing Department. Tokyo (03) 3458-1115

Fax. : Tokyo (03) 3458-1152

URL <http://www.kato-works.co.jp>

C04781

4.2018-1000 (TI) 1